

DS-781

Price Computing Scales



- **Customer Display**
 - High contrast LCD display
- **Stainless Steel Design**
 - Sanitary Stainless Steel Platter makes cleanup easy.
- **User Friendly**
 - Reliable & compact design.
- **Energy**
 - Extremely low power consumption

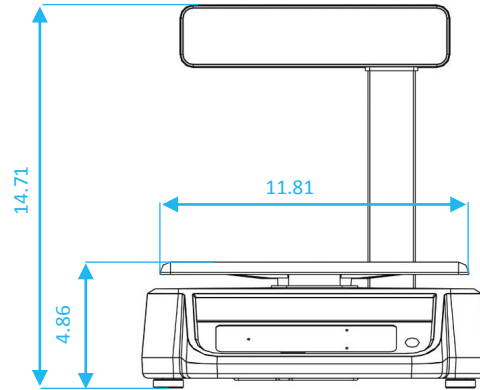
New Brunswick International, Inc.
DIGI Retail Scale and Labeling Systems



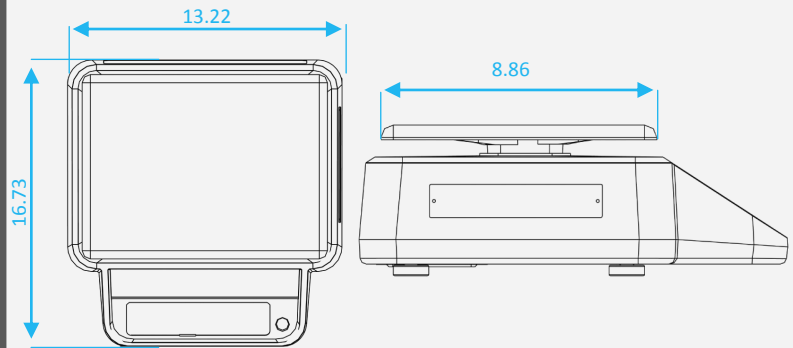
Specifications

General	Power source	AC: Adapter (DC 5V~ 8V, 100mA) DC: Battery (4 C size dry batteries) or AC/DC	
	Power Consumption	AC: 0.12W when using dry battery DC: 0.24W when DC 6V	
	Operation humidity	15% - 85% RH Non-Condensation	
	Operating Temperature	-10°C ~ +40°C	
	Operator Display	High Contrast LCD 5 digits (Weight)	
	Resolution	1/3,000	
	Number of Preset Keys	15 keys	
	Optional	RS-232C Interface	
		DS-781B	DS-781P
	Capacity	3kg, 6kg, 15kg, 30kg, 6lb, 15lb, 30lb and 60lb	
Weighing Interval	Single x 0.01		
Dimensions	Overall Dimensions (DS-781P)	13.22"(W) x 14.97"(D) x 14.71"(H)	
	Overall Dimensions (DS-781B)	13.22"(W) x 13.77"(D) x 4.86"(H)	

Scale Dimensions (30 lb)

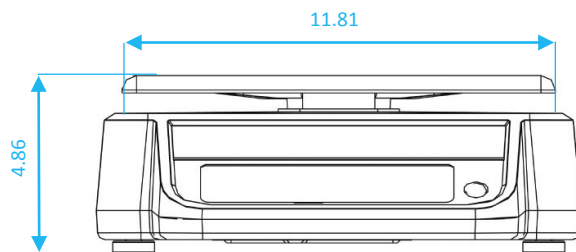


Dimensions of DS-781P



Top View

Side View



Front View

Units in Inches



New Brunswick International, Inc.

Corporate Headquarters
76 Veronica Ave
Somerset, NJ 08873
TEL: (732) 828-3633
FAX: (732) 828-4884

West Coast Office
530 West Central Ave. Suite C
Brea, CA 92821
TEL: (714) 671-7911
Fax: (714) 671-0798

www.nbidigi.com

